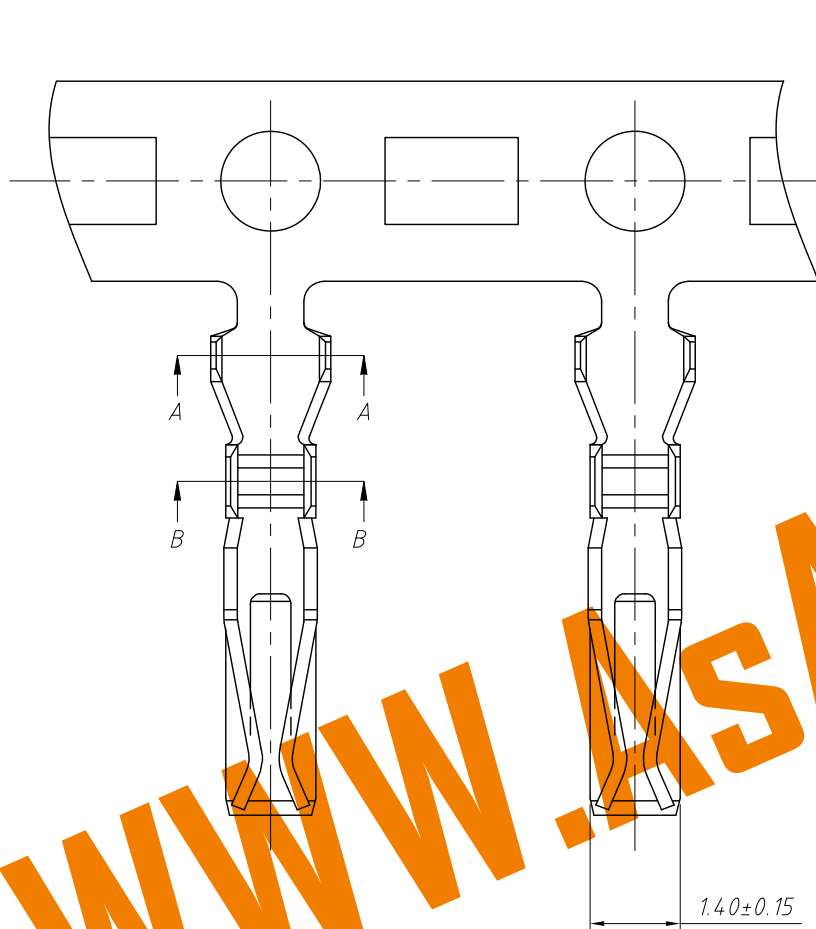
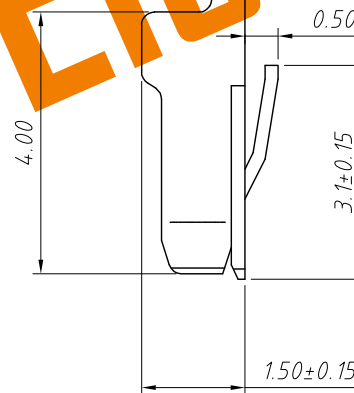


RoHS Compliance



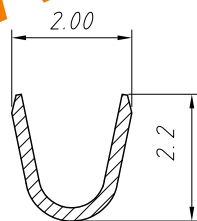
0.20±0.03



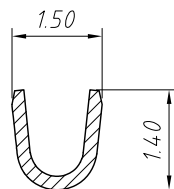
Material:
 Terminal: Phosphor Bronze
 Plating: Tin plated over Nickel
 Applicable wires: AWG #28 ~ #24
 Insulation O.D.: 1.60mm Max
 Qty/reel: 15000 PCS

Electrical Characteristics:
 Rated Current: 2.0AMP
 Voltage rating: 250V AC, DC
 Temperature range: -25°C ~ +85°C
 Insulator Resistance: 1000MΩ Min
 Withstand Voltage: 800V AC/DC
 Contact Resistance: 20mΩ Max

Order Information:
 L-KLS1-XL4-2.00-T
 L: RoHS
 Pitch: 2.00mm
 Type:
 T-Terminal H-Hosing
 S-Straight male pin
 R/R1-Right angle male pin



A-A



B-B

ANGLE TOLERANCE	PROJECTION	Description:
±3°		2.00mm Pitch PHSD Double With Lock type Wire to Board Connector
GENERAL TOLERANCE	UNITS	mm
x.x ±0.30	SHEET SIZE	A4
x.xx ±0.20	Draw:	Daniel 2021-01-11
x.xxx ±0.10	Check:	Daniel 2021-01-11

L-KLS1-XL4-2.00-T

ASA Electronic
 WWW.ASA-Elec.com
 ASA Electronic Co.
 Tel : (+98) 21 66 73 56 82 Mob : (+98) 912 03 161 02